

佛山市奥楷机械科技有限公司

电话: 0757-86403516/86403515

网址: www.fsaokai.com

邮箱: info@fsaokai.com

中文网址: 香肠设备 . 网址

地址: 广东省佛山市南海区罗村联星兴旺大道 3 号

FOSHAN AOKAI MACHINERY TECHNOLOGY CO.,LTD.

Tel : 0757-86403516/86403515

Web: www.aokaimachine.com

E-mail: info@fsaokai.com

Address: On the 3rd.XingWang Road,Luocun,Nanhai,Foshan, Guangdong Province,China.



官网二维码
Website



手机画册
Catalog

佛山市奥楷机械科技有限公司

FOSHAN AOKAI MACHINERY TECHNOLOGY CO., LTD.



佛山市奥楷机械科技有限公司
FOSHAN AOKAI MACHINERY TECHNOLOGY CO., LTD.

佛山市奥楷机械科技有限公司是一家以研发、生产、销售为综合体的现代化机械制造商。提供专业、精良、自动化、智能化、人性化程度优良的设备 and 生产线，我司成立于 2008 年，与众多的大型上市公司合作。

奥楷公司一直致力于工匠精神，精益求精，以产品的设计理念和品质、服务传递我们的精神和人格；奥楷人将继续专注于机械产品的研发，在未来的机械设备行业，奥楷锁定更高的目标，依靠科技创造奇迹，做更人性化、自动化、智能化的产品；我们将不断革新技术，致力于研发团队建设和核心技术的开发。

奥楷人坚信，在未来的发展中，无论市场风云如何变化，作为一家负责任的企业，作为一家胸怀感恩之心的企业，奥楷将携手与所有新老客户一起，迎来更加辉煌、灿烂的明天！

Established in 2008, Foshan Aokai Machinery Technology Co., Ltd. is a professional manufacturer and exporter that is concerned with the design, development and production of meat processing machines and automatic packing machines. All of our machines comply with international quality standards and are greatly appreciated in a variety of different markets throughout the world. After years of development, our company has created a wealth of experience in sales and after-sales service team.

We are specialized in providing a full range of equipment solutions for new and old customers at home and abroad. Our machines occupy for 60% of the Chinese market, and have successfully entered international market and shipped to many countries, including United States, Mexico, Australia, Philippines, Zambia, Nigeria etc. The manufacturers and users in the formation of a very high reputation.

Looking forward to making a good business relationships and mutual success with you all!

企业文化 CORPORATE CULTURE

企业愿景 Vision

创造行业认可的产品
Create industry-recognized products

核心价值观 Values

精益求精、创造价值、心怀感恩
Strive for perfection, create value and be grateful

我们的使命 Mission

创新改变命运
Innovation changes life

荣誉资质 CORPORATE CULTURE



产品目录

PRODUCT CONTENTS

灌装生产线系列 Filling Production Line Series

AK6200 双管生产线 AK6200 Double Pipe Production Line	07
AK3200T 单管生产线 AK3200T Single Tube Production Line	09
灌装扎线生产线 Filling And Tie Line Production Line	11
真空叶片灌装机 AK6200 Vacuum Leaf Filling Machine	13
真空叶片灌装机 AK3200T/AK3200/AK3000 Vacuum Leaf Filling Machine	14
全自动双条扎线机 AK807/AK807F Fully Automatic Double Wire Tie Machine	15
全自动单条扎线机 AK400、半自动单条扎线机 AK200 Fully Automatic Single Wire Tie Machine AK400 Semi-Automatic Single Wire Binding Machine AK200	16
牵引机 AKQ1200、移动拆线机 AKY Traction Machine AKQ1200, Mobile Wire-Cutting Machine AKY	17

包装系列 Packing Series

台式烤肠预制袋自动包装线 Taiwan Type Sausage Automatic Bagging Machine Solution	18
双通道剪节机 ENJ500、滚筒剪节机 AKJ1600 Double Channel Shearing Machine ENJ500 Drum Shearing Machine AKJ1600	19
香肠拆线机 ECX500、震动筛选机 EZS500 Thread Sausage Cutter ECX500 Vibration Screening Machine EZS500	20
台式烤肠预制袋自动装袋机 ZD500 Taiwan Type Sausage Premade Bag Automatic Bagging Machine	21
真空封口机 ELF12 Vacuum Sealing Machine	22
台式烤肠拉伸膜自动包装线 Taiwan Type Sausage Stretch Film Automatic Packaging Line	23
单通道自动供料机 FLS500 Single Channel Automatic Feeder	24
真空拉伸膜包装机 Vacuum Stretch Film Packaging Machine	25

包装系列 Packing Series

单通道供料机 FLS500 Single Channel Feeder	26
双通道供料机 FLS900 Dual Channel Feeder	26
三通道供料机 FLS1200 Tri-Channel Feeder	26
纯肉肠拉伸膜专用供料机 FLS350 Special Feeder For Pure Meat Sausage Stretch Film	27

装箱码垛线系列 Packing And Palletizing Line Series

开装箱一体机 EZX3000 Unpacking All-In-One Machine	28
台式烤肠装箱码垛线 TAIWAN TYPE SAUSAGE PACKING AND PALLETIZING LINE	29
装箱机器人 EZX10 Packing Robot	30
自动封箱机 EFX500、自动卡板机 EKB1200 Automatic Sealing Machine EFX500 Automatic Card Board Machine EKB1200	31
码垛机器人 EMD1000 Palletizing Robot	32

配套设备系列 Auxiliary Equipment series

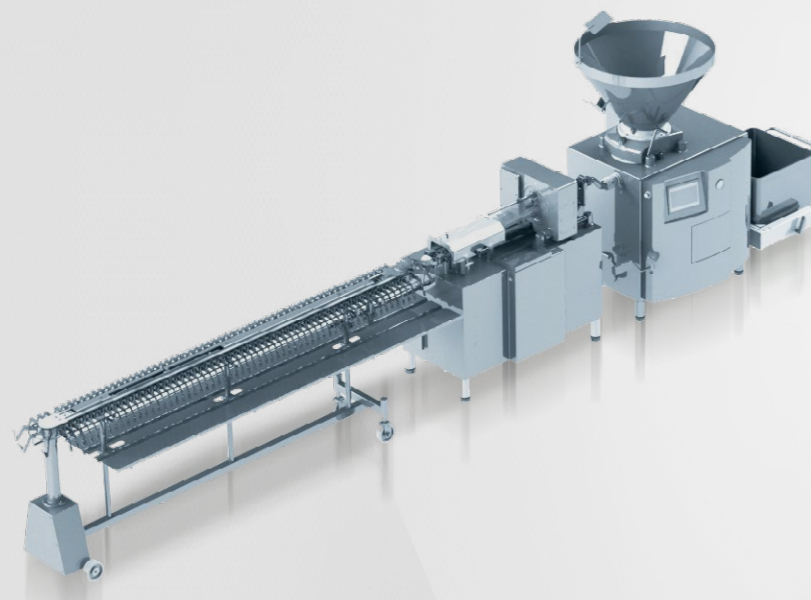
真空包装机 Vacuum Packaging Machine	33
套管机 Casing Machine	33
冻肉刨肉机 Frozen Meat Flaker	34
绞肉机 Meat Grinder	34
切丁机 Dicing Machine	35
骨肉分离机 Flesh Separator	36
斩拌机 Chopping Machine	37
真空搅拌机 Vacuum Mixer	38
真空滚揉机 Vacuum Tumbler	39
盐水注射机 Saline Injection Machine	40
打卡封口机 Punch Sealing Machine	41
烟熏炉 Smoker	42
剥皮机 (去皮机) Peeling Machine (Peeling Machine)	43
辅助设备及辅助件 Auxiliary Equipment And Accessories	44

肠类生产解决方案

INTESTINE PRODUCTION SOLUTIONS

1

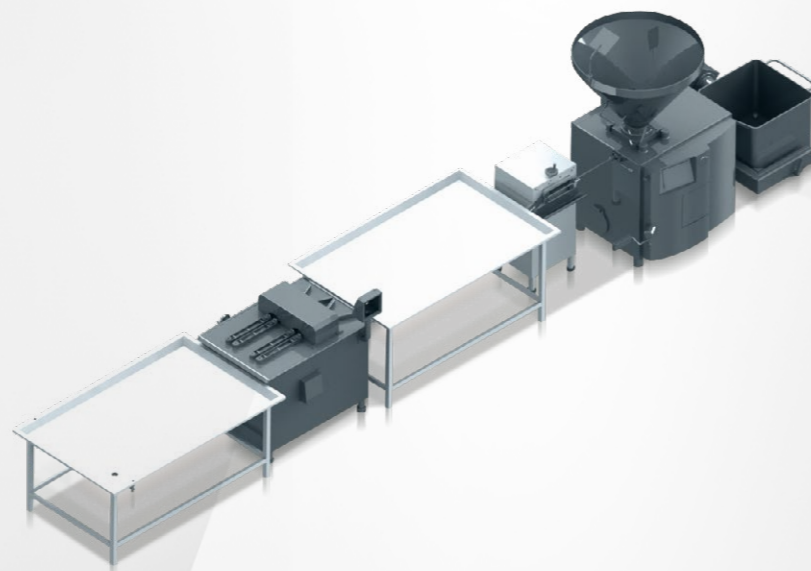
馅料前处理
Stuffing Meat Process



2A

2

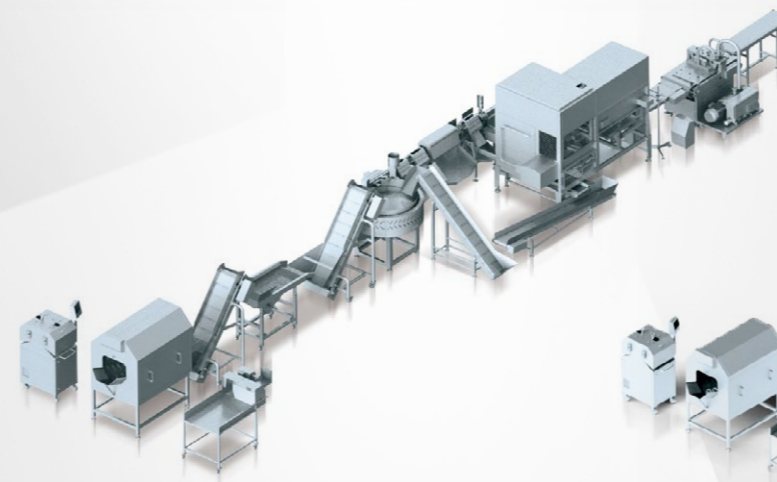
灌装生产线
Filler And Tying



2B

3

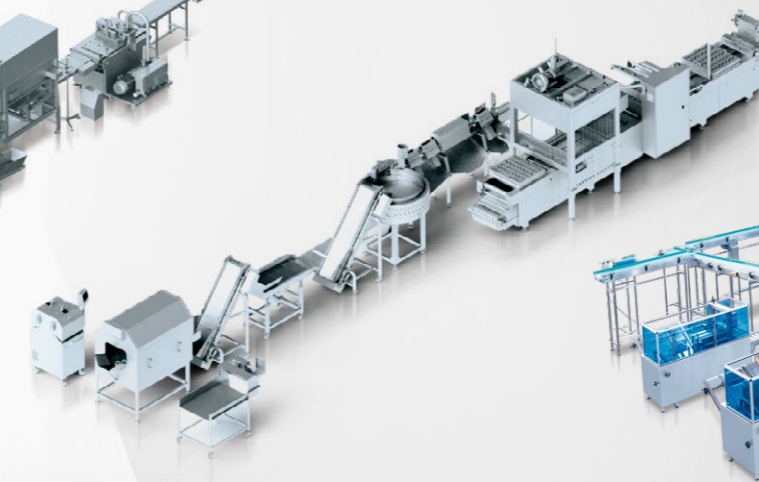
蒸煮及冷却
Sausage Cook And Cooling



4A

4

自动包装生产线
Automatic Sausage Packing Line



4B-1

4B-2

5

袋包装速冻
Bag Packaging Quick-Frozen



6

6

装箱码垛
Packing And Palletizer

灌装生产线

FILLING PRODUCTION LINE

AK6200 双管生产线

AK6200 DOUBLE PIPE PRODUCTION LINE



产品特点 / PRODUCT FEATURES

- ◆ 以真空灌装机为母机，原料在真空的状态下完成灌装过程，有效的防止脂肪氧化，避免蛋白质水解，减少细菌的存活量，有效的保证产品的保质期及产品品质，终端产品达到口感弹，脆，嫩和香味在口齿间回味时间长等。真空度可达到 -0.1MPa。
- ◆ 该生产线自动化程度高、速度快、生产能力大，对终端产品的重量、长短、品相均保证在高要求范围内，适应胶原蛋白肠衣、纤维肠衣、塑料肠衣和动物肠衣等。
- ◆ 整线采用 SUS304 不锈钢和合金不锈钢制作而成。
- ◆ Complete the filling process of raw materials in the vacuum state, effectively prevent fat oxidation, to avoid protein hydrolysis, reduce the survival amount of bacteria, effectively ensure the working life of products, And end products to taste elastic, crisp, tender etc. The vacuum degree can reach -0.1MPa.
- ◆ The production line has high degree of automation, high speed and large production capacity, and the weight, length of the end products are guaranteed to be within the requirements. And it is suitable for collagen casings, fiber casings, plastic casings and animal casings, etc.
- ◆ The whole line is made of SUS304 stainless steel.

技术参数 / TECHNICAL PARAMETER

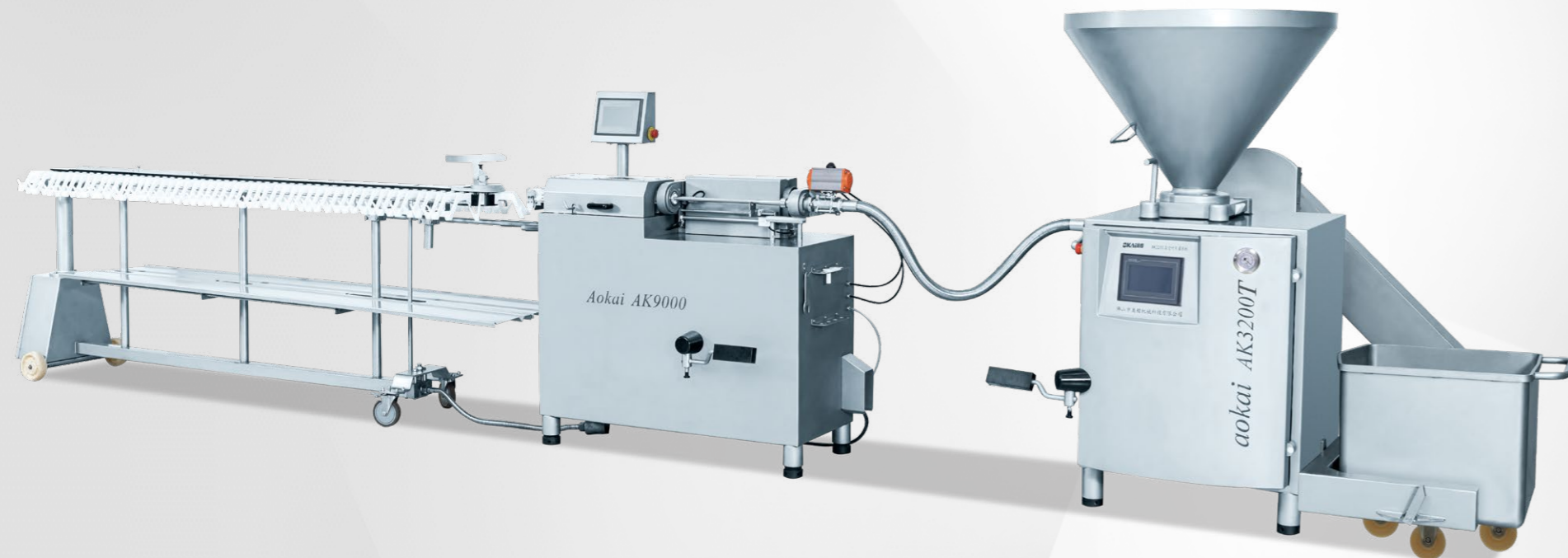
总功率 Total Power(kW)	14kW / 380V+N+PE
提升容量及重量 Increase Capacity And Weight	200-250 升 / 250kg
挂杆悬挂长度 Hanging Rod Length(mm)	600
扭结直径规格 The Diameter Of Twist(mm)	φ16-φ40
扭结长度范围 The Number Of Twist Loops(mm)	30-380
定量精度 Quantitative Accuracy	蛋白肠衣: ±1g/ 每支香肠, ±2g/ 每支香肠 Protein casing: ±1g/each sausage, ±2g/each sausage 注: 具体重量视单颗肉粒大小而定 Note: The specific weight depends on the size of a single piece of meat
定长精度 Fixed Length Accuracy(mm)	蛋白肠衣 ±1mm, 天然肠衣 ±3mm (生制品)
外形尺寸 (LxWxH) External Dimension (LxWxH)(mm)	7090*1362*2255
设备重量 Total Weight (kg)	灌装机 1350kg, 高扭 450kg, 挂杆机 220kg Filling machine 1350kg, high torsion 450kg, hanging rod machine 220kg

灌装生产线

FILLING PRODUCTION LINE

AK3200T 单管生产线

AK3200T SINGLE TUBE PRODUCTION LINE



产品特点 / PRODUCT FEATURES

- ◆ 以真空灌装机为母机，原料在真空的状态下完成灌装过程，有效的防止脂肪氧化，避免蛋白质水解，减少细菌的存活量，有效的保证产品的保质期及产品品质，终端产品达到口感弹，脆，嫩和香味在口齿间回味时间长等。真空度可达到 -0.1MPa。
- ◆ 该生产线自动化程度高、速度快、生产能力大，对终端产品的重量、长短、品相均保证在高要求范围内，适应胶原蛋白肠衣、纤维肠衣、塑料肠衣和动物肠衣等。
- ◆ 整线采用 SUS304 不锈钢和合金不锈钢制作而成。
- ◆ Complete the filling process of raw materials in the vacuum state, effectively prevent fat oxidation, to avoid protein hydrolysis, reduce the survival amount of bacteria, effectively ensure the working life of products, And end products to taste elastic, crisp, tender etc. The vacuum degree can reach -0.1MPa.
- ◆ The production line has high degree of automation, high speed and large production capacity, and the weight, length of the end products are guaranteed to be within the requirements. And it is suitable for collagen casings, fiber casings, plastic casings and animal casings, etc.
- ◆ The whole line is made of SUS304 stainless steel.

技术参数 / TECHNICAL PARAMETER

总功率 Total Power(kW)	8kW / 380V+N+PE
提升容量及重量 Increase Capacity and weight	200-250 升 / 250kg
挂杆悬挂长度 Hanging Rod Length(mm)	600
扭结直径规格 The Diameter Of Twist(mm)	φ16-φ40
扭结长度范围 The Number Of Twist Loops(mm)	30-380
定量精度 Quantitative Accuracy	蛋白肠衣: ±1g/ 每支香肠, ±2g/ 每支香肠 Protein casing: ±1g/each sausage, ±2g/each sausage 注: 具体重量视单颗肉粒大小而定 Note: The specific weight depends on the size of a single piece of meat
定长精度 Fixed Length Accuracy(mm)	蛋白肠衣 ±1mm, 天然肠衣 ±3mm (生制品)
外形尺寸 (LxWxH) External Dimension (LxWxH)(mm)	7370*1290*2150mm
设备重量 Total Weight (kg)	灌装机 980kg, 高扭 380kg, 挂杆机 220kg Filling machine 980kg, high torsion 380kg, hanging rod machine 220kg

灌装生产线

FILLING PRODUCTION LINE

灌装扎线生产线

FILLING AND TIE LINE PRODUCTION LINE



产品特点 / PRODUCT FEATURES

- ◆ 以真空灌装机为母机，原料在真空的状态下完成灌装过程，有效的防止脂肪氧化，避免蛋白质水解，减少细菌的存活量，有效的保证产品的保质期及产品，终端产品达到口感弹，脆，嫩和香味在口齿间回味时间长等。真空度可达到 -0.1MPa。
- ◆ 该生产线自动化程度高、速度快、生产能力大，对终端产品的重量、长短、品相均保证在高要求范围内，适应胶原蛋白肠衣、纤维肠衣、塑料肠衣和动物肠衣等。
- ◆ 节约肠衣：长 125mm 重 38g 的产品大约节约 600 米 / 吨，长 50mm 重 10g 的产品大约节约 1600 米 / 吨（肠衣成本以 0.5 元计）。
- ◆ Complete the filling process of raw materials in the vacuum state, effectively prevent fat oxidation, to avoid protein hydrolysis, reduce the survival amount of bacteria, effectively ensure the working life of products, And end products to taste elastic, crisp, tender etc. The vacuum degree can reach -0.1MPa.
- ◆ The production line has high degree of automation, high speed and large production capacity, and the weight, length of the end products are guaranteed to be within the requirements. And it is suitable for collagen casings, fiber casings, plastic casings and animal casings, etc.
- ◆ Save casing: the product with 125mm in length and 38g in weight saves about 600m/ton, and the product with 50mm in length and 10g in weight saves about 1600m/ton.

技术参数 / TECHNICAL PARAMETER

工作效率 Work Efficiency(knots/min)	20-800
精准度高 High accuracy(mm)	长短误差 ±2mm/100mm length error ±2mm/100mm
适应产品长度 Product Length(mm)	20-500
适应肠衣直径 Suitable casing Diameter(mm)	9-40
总功率 Total Power(kW)	10
外形尺寸 External Dimension(mm)	7550*1290*2150
设备重量 Total Weight(kg)	灌装机 980kg, 扎线机 310kg, 牵引机 80kg Filling machine 980kg, wire tie machine 310kg, tractor 80kg

灌装系列

FILLING SERIES

真空叶片灌装机 AK6200

VACUUM LEAF FILLING MACHINE



产品特点 PRODUCT FEATURES

- ◆ 针对以下产品：香肠，腊肠，西式香肠，切片火腿，鸡扒，牛扒，大小火腿，超轻黏土，胶体等流体及半流体，膏状，糜状，有组织的块状等产品的定量灌装，分份，供料，输送等功能。
- ◆ 适用行业：与下游设备配合使用可实现食品（肉制品，乳制品，烘焙，面制品，海产品，餐饮辅料），化工，玩具，医药等行业的自动化组合，实现定量成型，分装，包装等多功能特点。
- ◆ 适应肠衣品种：天然肠衣、胶原蛋白肠衣、纤维肠衣和塑料肠衣等。
- ◆ 定量范围：5~10000g。
- ◆ 定量精度：±1g/100g。
- ◆ 低转速大排量：有效防止物料因灌装而破坏组织形态及机理结构，让设备的核心零部件更耐磨耐用，使被灌装的物料进口和出口的温升能得到有效控制。
- ◆ 可以与封口打卡机，高速扭结机，扎线机配套使用。
- ◆ For the following products: sausages, sausages, western sausages, sliced ham, chicken chops, steaks, large and small hams, ultra-light clay, colloids and other fluid and semi-fluid, paste, minced, and organized block products. Loading, portioning, feeding, conveying and other functions.
- ◆ Applicable industries: It can be used in conjunction with downstream equipment to realize the automatic combination of food (meat products, dairy products, baking, pasta products, seafood, catering accessories), chemicals, toys, medicine and other industries, to achieve quantitative molding, sub-packaging, packaging, etc. Multifunctional features.
- ◆ Suitable for casing varieties: natural casings, collagen casings, fiber casings and plastic casings, etc.
- ◆ Quantitative range: 5~10000g.
- ◆ Quantitative accuracy: ±1g/100g.
- ◆ Low speed and large displacement: Effectively prevent the material from damaging the organizational form and mechanism structure due to filling, making the core parts of the equipment more wear-resistant and durable, and effectively controlling the temperature rise of the material being filled at the inlet and outlet.
- ◆ It can be used with sealing punching machine, high-speed twisting machine and cable tie machine.

真空叶片灌装机 AK3200T/AK3200/AK3000

VACUUM LEAF FILLING MACHINE



技术参数 TECHNICAL PARAMETER

型号 Type	外形尺寸 External Dimension(mm)	功率 Power(kW)	料斗容积 Volume(L)	真空度 Vacuum (MPa)	排量 / 成型速度 Filling Capacity (kg/h)	重量 Weight(kg)	备注 Remark
AK6200	2460*1360*2255	9.5kW 380V	250	-0.1	4000	1350	带提升，有绞龙 With lifting, with auger
AK3200T	2300*1290*2150	4.75kW 380V	240	-0.1	3000	980	带提升，有绞龙 With lifting, with auger
AK3200	1210*940*2090	4.0kW 380V	220	-0.1	3000	410	无提升，有绞龙 No lifting, with auger
AK3000	1200*920*2070	4.0kW 380V	200	-0.1	3000	410	无提升，无绞龙 No lifting, no auger

扎线系列

TIE LINE SERIES

全自动双条扎线机 AK807/AK807F

FULLY AUTOMATIC DOUBLE WIRE TIE MACHINE



产品特点 / PRODUCT FEATURES

- ◆采用伺服控制系统，产品长度、直径大小、生产速度、扎线圈数可在显示器上任意调节，最快速度可达 800 节 / 分钟（根据设备为 400 节 / 分钟、200 节 / 分钟），操作灵活多变；生产效率高，相对投资成本低。
- ◆适应肠衣：天然肠衣、蛋白肠衣、复合膜肠衣等。
- ◆精准度高：长短误差 ±2mm/100mm。
- ◆节约肠衣：长 125mm 重 38g 的产品大约节约 600 米 / 吨，长 50mm 重 10g 的产品大约节约 1600 米 / 吨（肠衣成本以 0.5 元计）。
- ◆Using servo control system, the product length, diameter, production speed, and number of coils can be adjusted arbitrarily on the display. The fastest speed can reach 800 knots/minute (400 knots/minute or 200 knots/minute according to the equipment). Flexible and changeable; high production efficiency and low relative investment cost.
- ◆Adapt to casings: natural casings, protein casings, composite membrane casings, etc.
- ◆High precision: length error ±2mm/100mm.
- ◆Saving casings: a product with a length of 125mm and a weight of 38g can save about 600 m/ton, and a product with a length of 50mm and a weight of 10g saves about 1600 m/ton (the cost of casing is 0.5 yuan).

全自动单条扎线机 AK400

FULLY AUTOMATIC SINGLE WIRE TIE MACHINE



半自动单条扎线机 AK200

SEMI-AUTOMATIC SINGLE WIRE BINDING MACHINE



技术参数 / TECHNICAL PARAMETER

型号 Type	外形尺寸 External Dimension(mm)	功率 Power(kW)	适应肠衣直径 Adapt To Casing Diameter(mm)	扎线长度范围 Cable Tie Length Range(mm)	最大产能 Production Capacity	重量 Weight(kg)
AK807	1135*960*1165	4.25kW 380V	9-26	20-500	800	310
AK807F	1135*960*1165	4.25kW 380V	9-40	20-500	800	310
AK400	1110*715*1085	2.65kW 3 相 380V 或 3 相 220V	9-40	20-500	400	200
AK200	900*590*1065	1.2kW 220V	9-40	20-250	200	150



牵引机 AKQ1200

TRACTION MACHINE

产品特点 PRODUCT FEATURES

- ◆ 主要用于解决香肠均匀度问题，牵引各种肠类产品，能适应胶原蛋白、复合膜、天然等各种肠衣。
- ◆ 自动均匀香肠，降低爆肠的概率，无需老手，新手即可操作；采用变频控制，速度精度可调，直径大小可调。
- ◆ 特别注明：本机可与本厂扎线机、灌肠机配套使用。
- ◆ It is mainly used to solve the problem of sausage uniformity, to pull various sausage products, and it can adapt to various types of sausage casings such as collagen, composite membrane, and natural.
- ◆ Automatically even sausages, reduce the probability of intestine bursting, no veterans, novices can operate; frequency conversion control, adjustable speed accuracy, adjustable diameter.
- ◆ Special note: This machine can be used in conjunction with the wire tie machine and sausage stuffer of our factory.

技术参数 TECHNICAL PARAMETER

功率 Power(kw)	0.75kw /380V
转速 Rotating Speed(r/min)	0~950
牵引速度 Traction Speed(m/min)	10 ~ 126
外形尺寸 External Dimension(mm)	520*540*1080
整机重量 Weight(kg)	80

移动拆线机 AKY

MOBILE WIRE-CUTTING MACHINE

产品特点 PRODUCT FEATURES

- ◆ 结构简单，原理是通过扎线机的线做为“刀子”剪断香肠。
- ◆ 速度快，效率高，比传统的香肠剪节机更快及价格更便宜。
- ◆ 基本不需要维修。
- ◆ The structure is simple, and the principle is to use the thread of the binding machine as a "knife" to cut the sausage.
- ◆ It is fast, efficient, faster and cheaper than traditional sausage cutters.
- ◆ Basically no maintenance is required.

技术参数 TECHNICAL PARAMETER

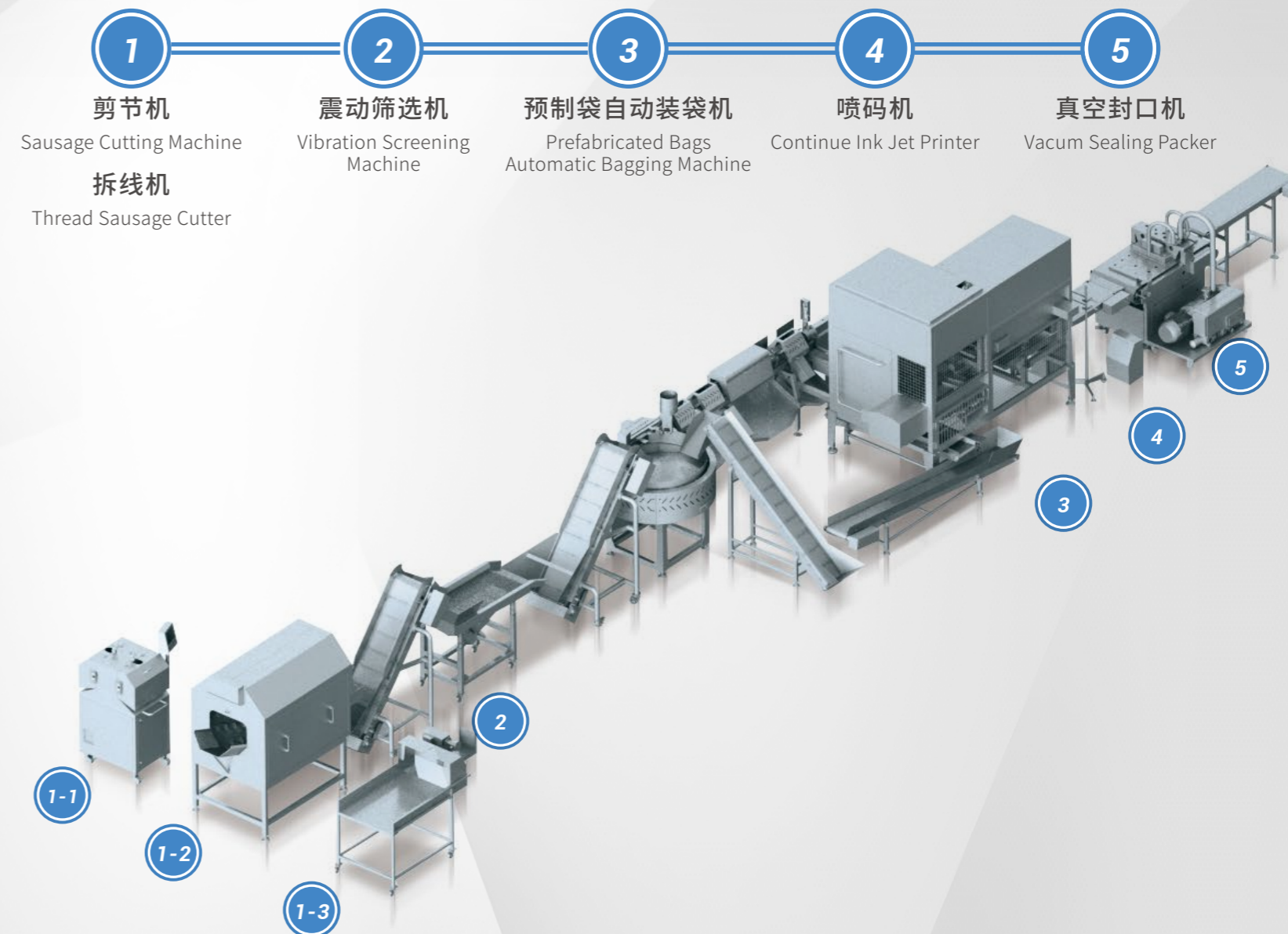
工作效率 Work Efficiency(cr/min)	500
功率 Power(kw)	0.75
电压 Voltage(V)	380
外形尺寸 External Dimension(mm)	1110*700*1060
重量 Weight(kg)	55

包装系列

PACKING MACHINE SERIES

4A 台式烤肠预制袋自动包装线

TAIWAN TYPE SAUSAGE AUTOMATIC BAGGING MACHINE SOLUTION



包装系列

PACKING MACHINE SERIES



双通道剪节机 ENJ500

DAUL CHANNELS CUTTING MACHINE

产品特点 PRODUCT FEATURES

- ◆ 双通道方式，即可两通道同时使用，也可单通道使用。
- ◆ 适合用扭结类香肠，剪肠长度准确，断肠破损率低。
- ◆ 免用油或水等辅助材料，容易清洁。
- ◆ Dual channel mode, can use two channels at the same time, also can use a single channel.
- ◆ Suitable for twist sausage, with accurate length and low rate of broken sausage.
- ◆ Easy to clean without oil or water and other auxiliary materials.

技术参数 TECHNICAL PARAMETER

功率 Power(kW)	4
电源 Power Supply(V)	AC 380V
生产能力 Production Capacity(kg/h)	2000-3000
重量 Weight(kg)	200
外形尺寸 External Dimension(mm)	1000*800*1400

滚筒剪节机 AKJ1600

ROLLER CUTTING MACHINE

产品特点 PRODUCT FEATURES

- ◆ 适用于天然或人造肠衣扭结类香肠。
- ◆ 节省人工，操作简便。
- ◆ 高效率，产能高。
- ◆ Suitable for natural or artificial casings twist type sausages.
- ◆ Save labor cost, easy to operate.
- ◆ High efficiency, high capacity.

技术参数 TECHNICAL PARAMETER

功率 Power(kW)	1.5
电源 Power Supply(V)	AC 380V
生产能力 Production Capacity(kg/h)	2000-3000
重量 Weight(kg)	400
外形尺寸 External Dimension(mm)	1880*800*1280



香肠拆线机 ECX500

THREAD SAUSAGE CUTTER

产品特点 PRODUCT FEATURES

- ◆ 代替人工抖肠，大大降低劳动强度。
- ◆ 操作简单，免维护，性价比高。
- ◆ 适用于自动包装机前端的香肠拆线输入。
- ◆ Replace manual shaking sausage to reduce labor intensity.
- ◆ Easy operation, free maintenance, Cost performance.
- ◆ Suitable for the removal of stitches in sausage at the front end of automatic packing machine.

技术参数 TECHNICAL PARAMETER

型号 Type	ECX500
功率 Power(kW)	0.2
电源 Power Supply(V)	AC 220V
生产能力 Production Capacity(kg/h)	2000-3000
重量 Weight(kg)	100
外形尺寸 External Dimension(mm)	1880*800*1280

震动筛选机 EZS500

VIBRATION SCREENING MACHINE

产品特点 PRODUCT FEATURES

- ◆ 代替人工筛选断肠、废肠衣、残渣等香肠不良品。
- ◆ 操作简单，免维护。
- ◆ 自动包装机前端增加此设备有助于提高生产效率、节省人工。
- ◆ Instead of manual screening the defective products of broken sausages, waste casings, and Scraps of meat.
- ◆ Easy operation, free maintenance.
- ◆ Automatic packaging machine front-end to increase this equipment is helpful to improve production efficiency and save labor cost.

技术参数 TECHNICAL PARAMETER

型号 Type	EZS500
功率 Power(kW)	0.36
电源 Power Supply(V)	AC 380V
生产能力 Production Capacity(kg/h)	1000-1200
重量 Weight(kg)	150
外形尺寸 External Dimension(mm)	1500*700*1200



包装系列

PACKING MACHINE SERIES

台式烤肠预制袋自动装袋机 ZD500

TAIWAN TYPE SAUSAGE PREMADE BAG AUTOMATIC BAGGING MACHINE



产品特点 PRODUCT FEATURES

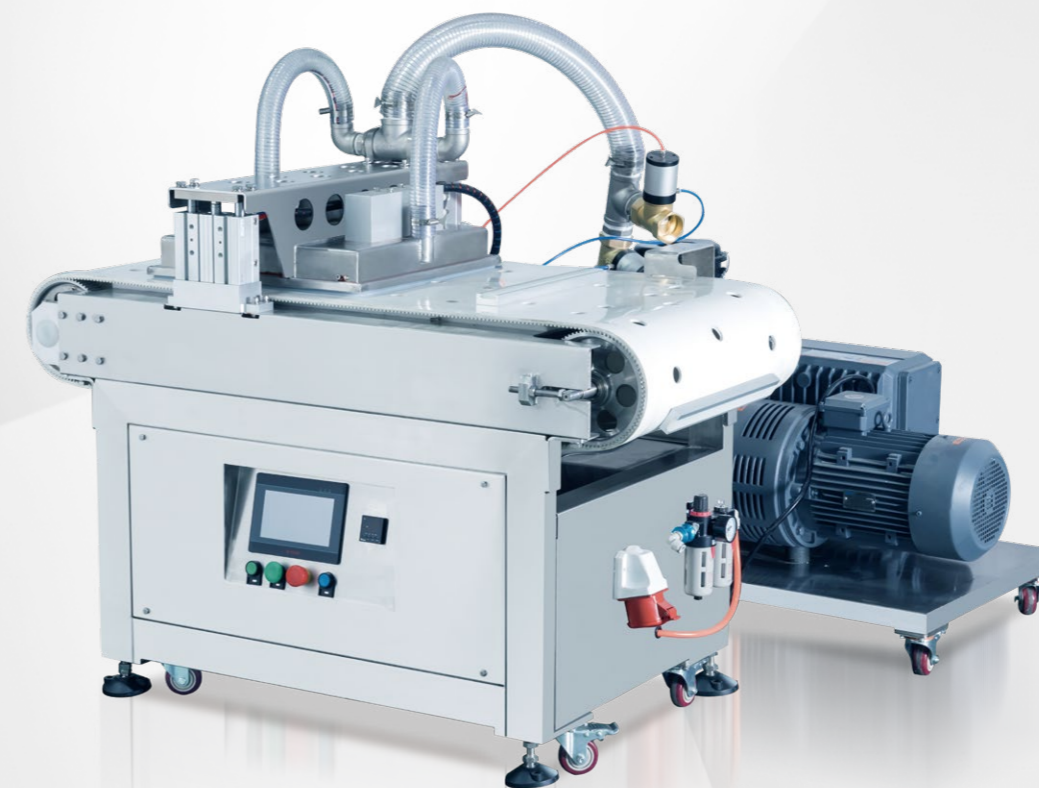
- ◆ 适用于预制袋方式 20 支以上台式烤肠替代人工实现自动装袋。
- ◆ 自动化程度高，自动取袋和套袋、自动排列、机器人自动抓放。
- ◆ 节省人工，大大降低劳动强度，操作简单，效率高。
- ◆ It is suitable for prefabricated bag method, so the bagging of more than 20 Taiwan type sausage is realized by automatic bagging.
- ◆ High degree of automation: automatic bagging, automatic arrangement and robot automatic grasp and release.
- ◆ Save labor cost, reduce labor intensity, easy operation, high efficiency.

技术参数 TECHNICAL PARAMETER

功率 Power(kW)	13
电源 Power Supply(V)	AC 380V
生产能力 Production Capacity(Sticks/minute)	500
重量 Weight(kg)	2000
外形尺寸 External Dimension(mm)	8545*2640*2115

真空封口机 ELF12

VACUUM SEALING MACHINE



产品特点 PRODUCT FEATURES

- ◆ 适用于自动装袋机后端连线。
- ◆ 预制袋方式包装袋实现自动抽真空、自动封口。
- ◆ 具备来料自动启停功能。
- ◆ Suitable for back-end connection of automatic bagging machine.
- ◆ Prefabricated bag method to realize automatic vacuum, automatic sealing.
- ◆ It has automatic start and stop function for incoming material.

技术参数 TECHNICAL PARAMETER

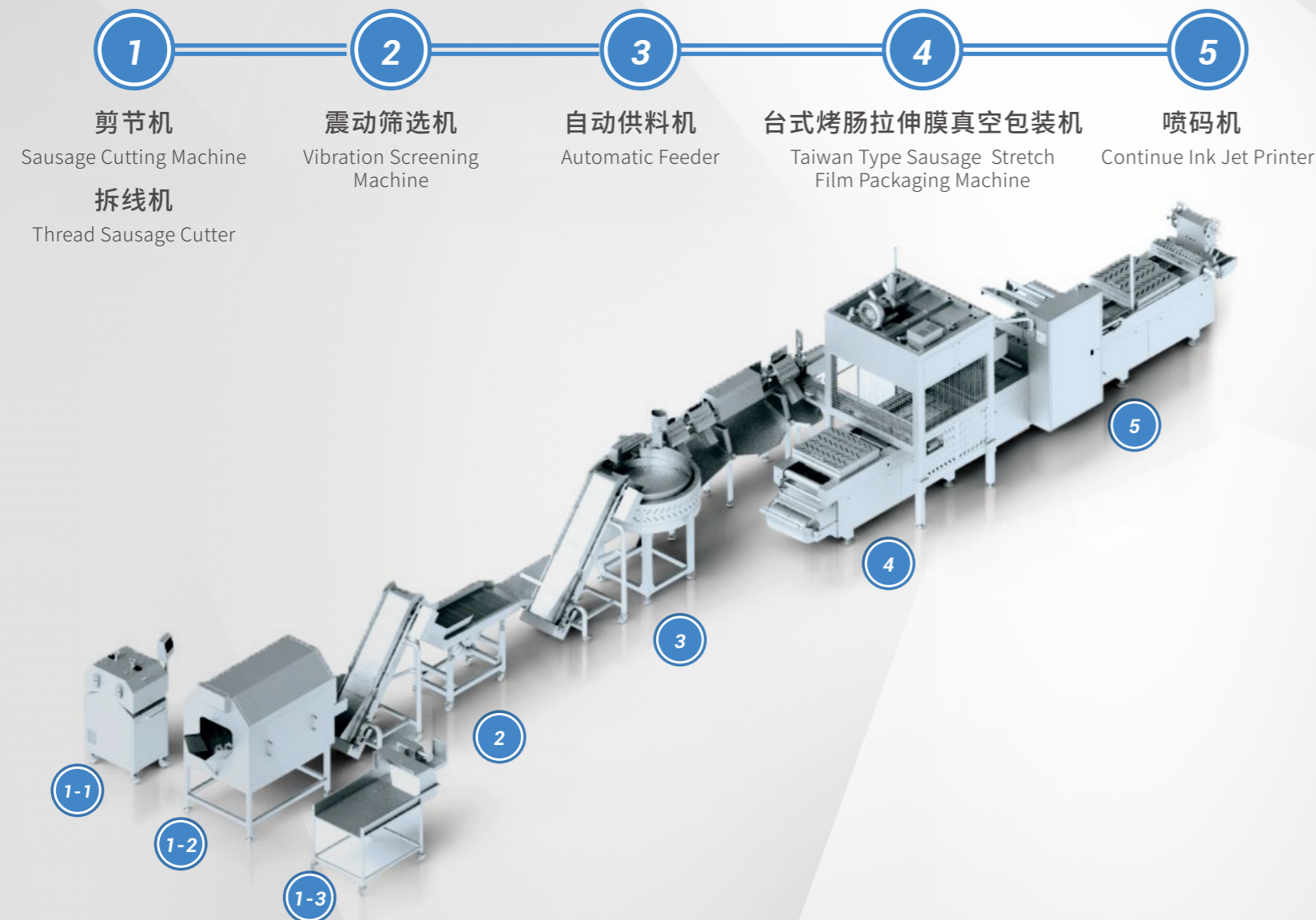
功率 Power(kW)	8.5
电源 Power Supply(V)	AC 380V
生产能力 Production Capacity(Packs/minute)	11
重量 Weight(kg)	400
外形尺寸 External Dimension(mm)	1500*800*1280

包装系列

PACKING MACHINE SERIES

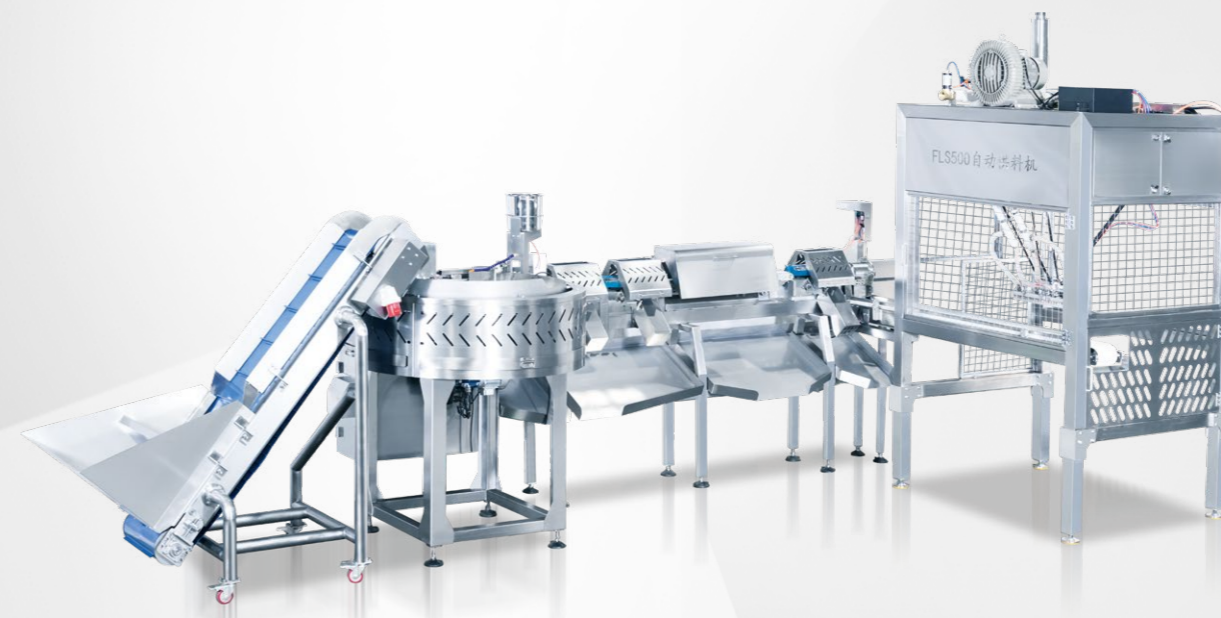
4B 台式烤肠拉伸膜自动包装线

TAIWAN TYPE SAUSAGE STRETCH FILM AUTOMATIC PACKAGING LINE



单通道自动供料机 FLS500

SINGLE CHANNEL AUTOMATIC FEEDER



产品特点 / PRODUCT FEATURES

- ◆ 匹配拉伸膜包装机台式烤肠包装代替人工实现自动摆料。
- ◆ 自动化程度高，自动排列、自动剔除长短不良品、机器人自动抓放。
- ◆ 可根据香肠规格、支数、排列方式按需求定制。
- ◆ Matching stretch film packaging machine for Taiwan type sausage packaging instead of manual packaging, to achieve automatic feeding.
- ◆ High degree of automation: automatic arrangement, automatic elimination of defective products and robot automatic grasp and release.
- ◆ Can be customized according to the requirements of sausage specifications, quantity, arrangement mode.

技术参数 / TECHNICAL PARAMETER

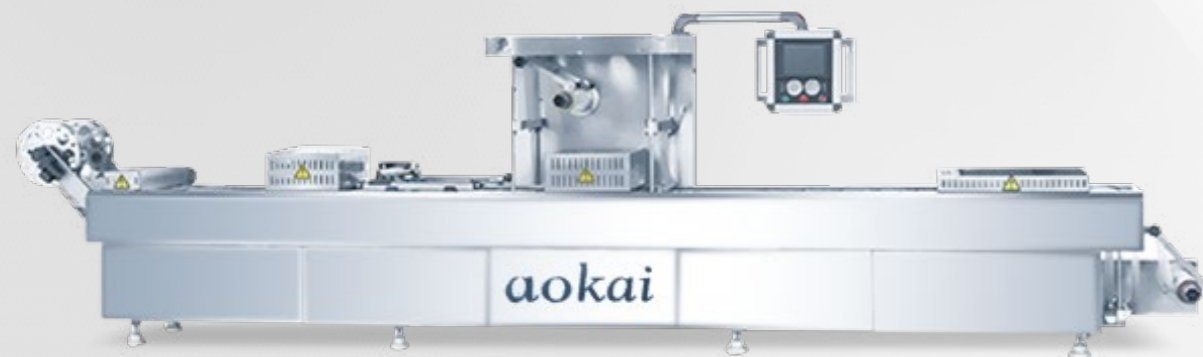
功率 Power(kW)	8.5
电源 Power Supply(V)	AC 380V
生产能力 Production Capacity(Sticks/minute)	500
重量 Weight(kg)	1000
外形尺寸 External Dimension(mm)	6900*2558*2800

包装系列

PACKING MACHINE SERIES

真空拉伸膜包装机

VACUUM STRETCH FILM PACKAGING MACHINE



产品特点 PRODUCT FEATURES

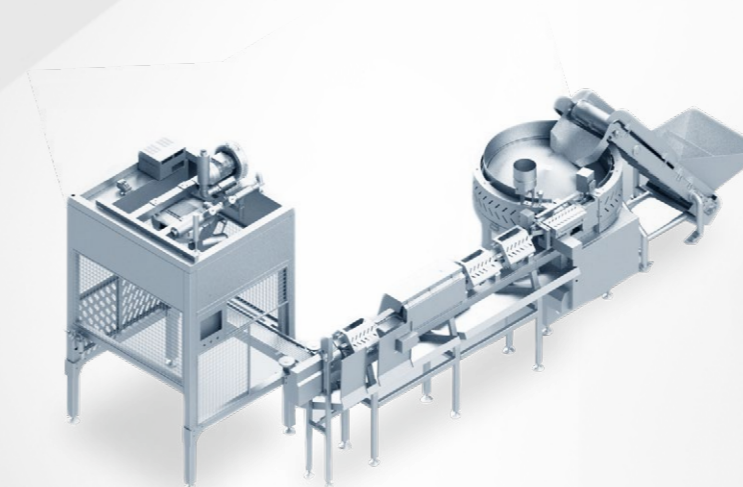
- ◆ 自动化程度高，速度快，兼容性强。
- ◆ 封口整齐，配搭喷码机模组，可供客户增加喷码机。
- ◆ 一分钟走6个步进，走膜平稳，自动回卷边角膜。
- ◆ 电机、减速机、真空泵、电器元器件均采用国内外名牌产品，稳定性高。
- ◆ 整机采用 SUS304 不锈钢和铝合金制作而成。
- ◆ 机型及模具可根据客户产品定制。
- ◆ High degree of automation, fast speed and strong compatibility.
- ◆ The sealing is neat and matched with the code spraying machine for customer request.
- ◆ Walk 6 steps a minute with smoothly, and roll back the cornea automatically.
- ◆ Motor, reducer, vacuum pump and electrical components all adopt famous brand with high stability.
- ◆ The whole machine is made of SUS304 stainless steel and aluminum alloy.
- ◆ Models can be customized according to customers' products.

技术参数 TECHNICAL PARAMETER

型号 Type	电压 Voltage	功率 Power(kw)	外形尺寸 External Dimension(mm)	重量 Weight(kg)	气压 Pressure(Mpa)	真空度 Vacuum Value(MPa)	速度 Speed(times/min)
AKLS580	380V/50Hz	15	8500*1255*2290	2800	0.6~0.8	-0.1	5-7
AKLS560	380V/50Hz	12	7500*1155*2190	2500	0.6~0.8	-0.1	5-7
AKLS520	380V/50Hz	10	7200*940*1850	2060	0.6~0.8	-0.1	5-7
AKLS420	380V/50Hz	8	5400*840*1850	1650	0.6~0.8	-0.1	5-7

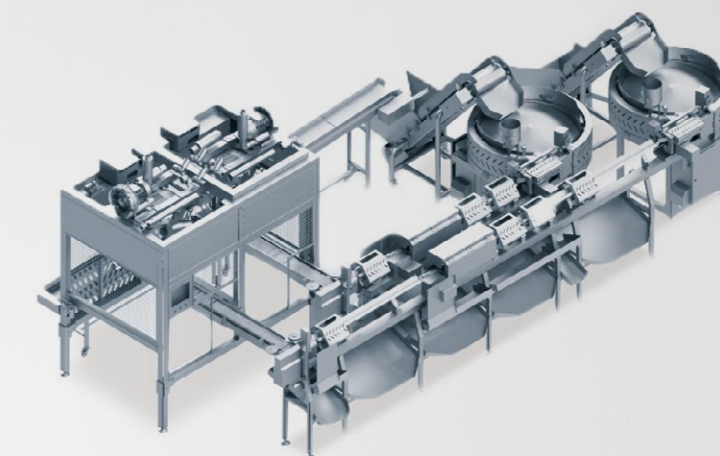
单通道供料机 FLS500

SINGLE CHANNEL FEEDER



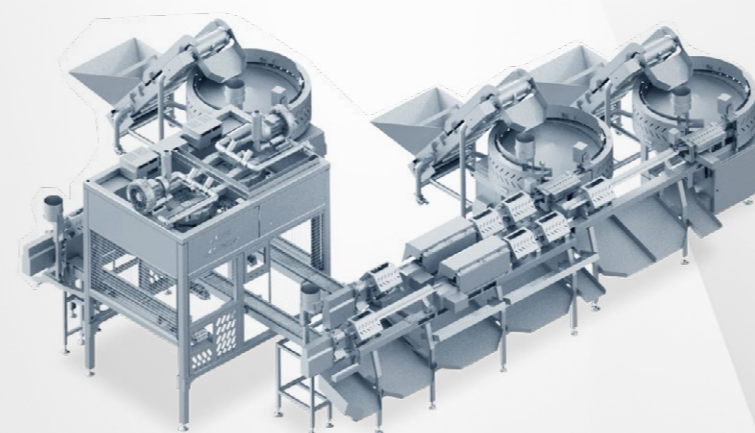
双通道供料机 FLS900

DUAL CHANNEL FEEDER



三通道供料机 FLS1200

TRI-CHANNEL FEEDER



技术参数 TECHNICAL PARAMETER

型号 Type	FLS500	FLS900	FLS1200
最大速度 Maximum Speed(Sticks/minute)	500	900	1200
价格 Price	低	中	高
占地面积 Area	小	中	大

包装系列

PACKING MACHINE SERIES

纯肉肠拉伸膜专用供料机 FLS350

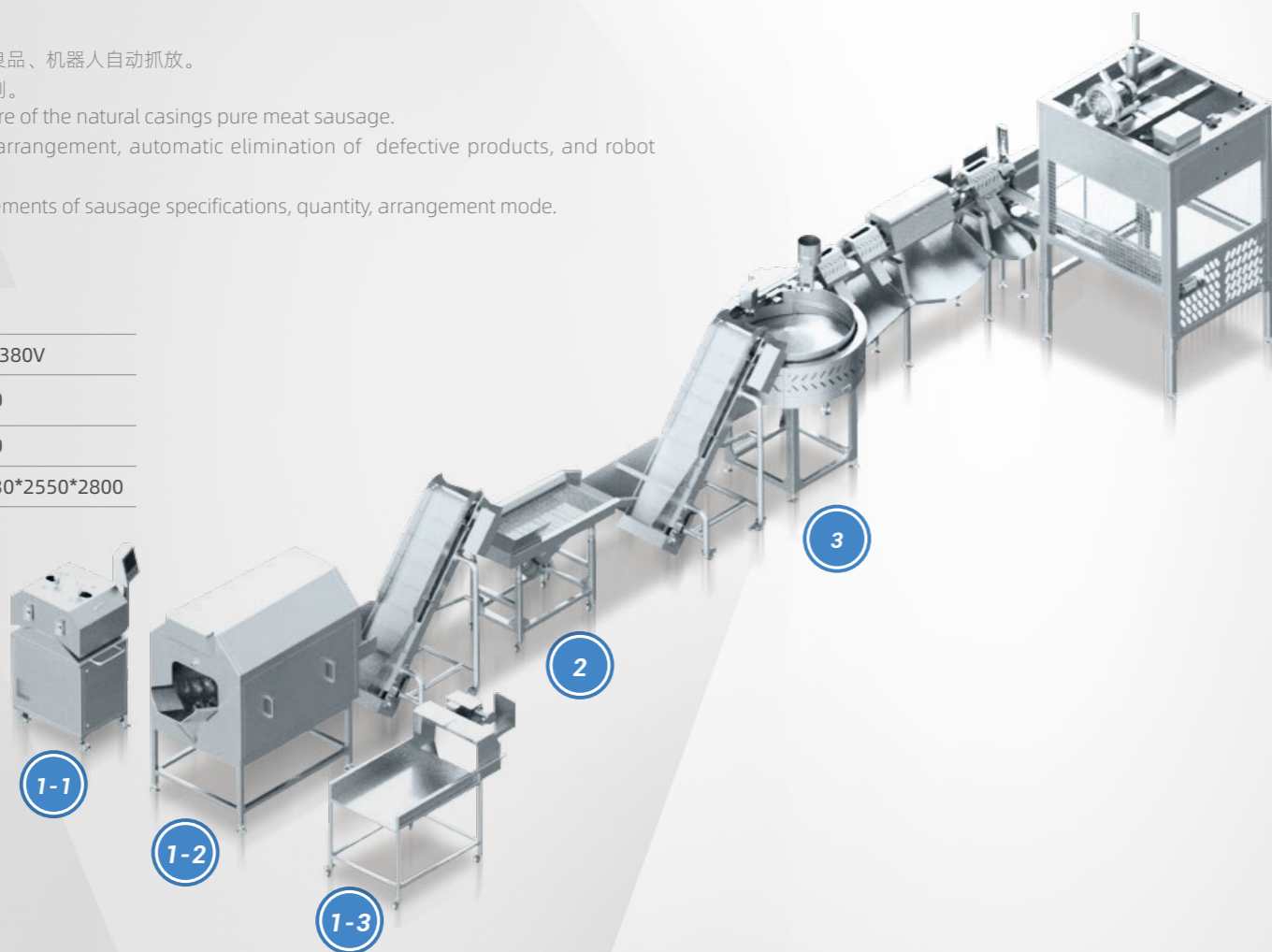
SPECIAL FEEDER FOR PURE MEAT SAUSAGE STRETCH FILM

产品特点 PRODUCT FEATURES

- ◆ 适用于有一定弯曲度的天然肠衣纯肉肠。
- ◆ 自动化程度高，自动排列、自动剔除长短不良品、机器人自动抓放。
- ◆ 可根据香肠规格、支数、排列方式按需求定制。
- ◆ It is suitable for a certain degree of curvature of the natural casings pure meat sausage.
- ◆ High degree of automation: automatic arrangement, automatic elimination of defective products, and robot automatic grasp and release.
- ◆ Can be customized according to the requirements of sausage specifications, quantity, arrangement mode.

技术参数 TECHNICAL PARAMETER

功率 Power(kW)	8.5
电源 Power Supply(V)	AC 380V
生产能力 Production Capacity(Sticks/minute)	350
重量 Weight(kg)	980
外形尺寸 External Dimension(mm)	6730*2550*2800



装箱码垛线系列

PACKING AND PALLETIZING LINE SERIES

开装箱一体机 EZX3000

UNPACKING ALL-IN-ONE MACHINE

产品特点 PRODUCT FEATURES

- ◆ 自动化程度高，整机系统整线控制，触摸屏一键更换产品配方。
- ◆ 全伺服自动调整纸箱尺寸，操作简单，效率高。
- ◆ 视觉系统自动检测抓取产品，全自动开箱装箱，集成化，占地面积小。
- ◆ 整机采用 SUS304 不锈钢和合金不锈钢制作而成。
- ◆ The degree of automation is high, the whole system is controlled by the whole system, and the product formula can be changed with one touch on the touch screen.
- ◆ Full-servo automatic adjustment of carton size, simple operation and high efficiency.
- ◆ The vision system automatically detects and grabs products, fully automatic unpacking and packing, integration, and small footprint.
- ◆ The whole machine is made of SUS304 stainless steel and alloy stainless steel.

技术参数 TECHNICAL PARAMETER

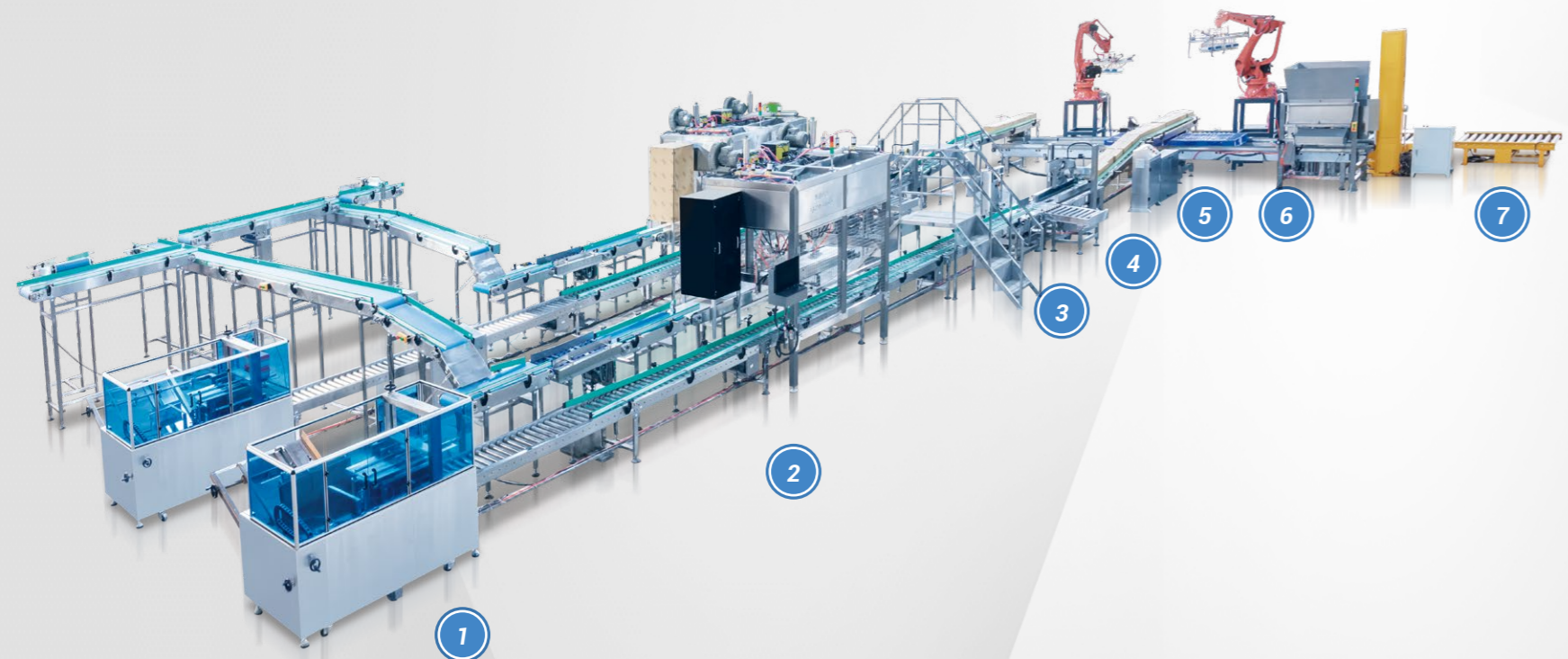
功率 Power(kW)	11
电压 Voltage(V)	380V+N+Pe
生产能力 Production Capacity(Box/Minute)	5-6
适用纸箱规格 Applicable Carton Specifications(mm)	L400-580, W250-350, H150-250
重量 Weight(kg)	2000
外形尺寸 (LxWxH) External Dimension (LxWxH)(mm)	4565*2320*2400



装箱码垛线系列

PACKING AND PALLETIZING LINE SERIES

6 台式烤肠装箱码垛线 TAIWAN TYPE SAUSAGE PACKING AND PALLETIZING LINE



装箱机器人 EZX10

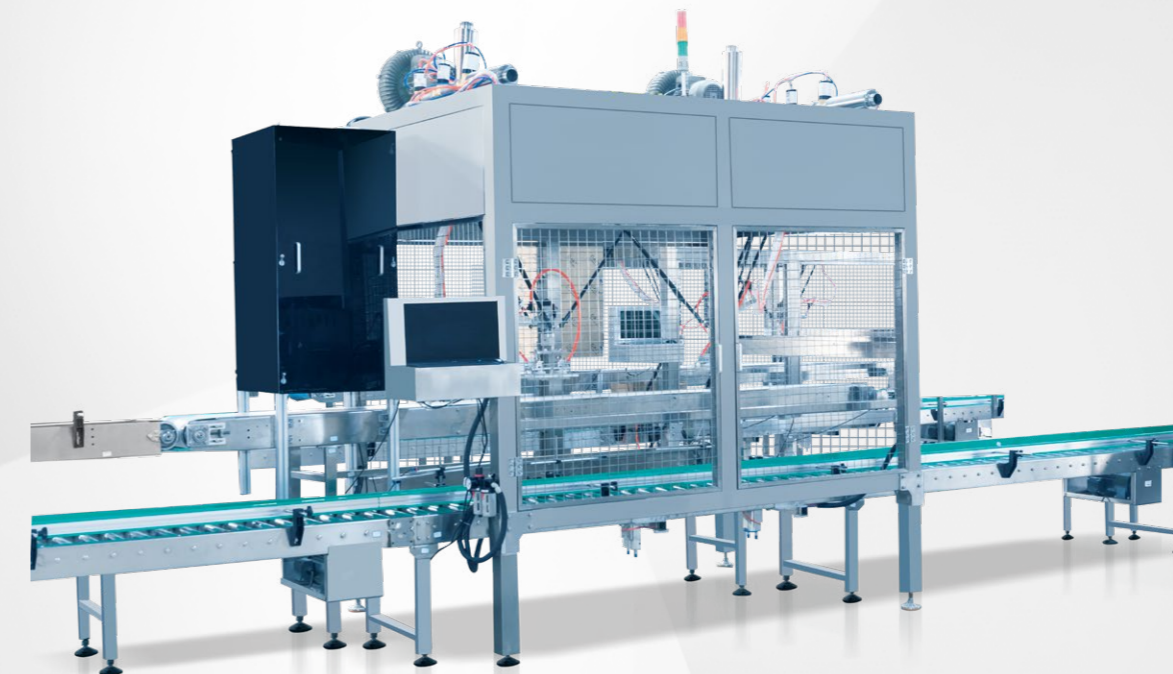
PACKING ROBOT

产品特点 PRODUCT FEATURES

- ◆ 集成双并联机器人。
- ◆ 集成视觉系统，自动进行识别、定位、抓放。
- ◆ 效率高，速度快，兼容性强。
- ◆ Integrated dual parallel robot.
- ◆ Integrated vision system, automatic recognition, positioning, pick and place.
- ◆ High efficiency, fast speed and strong compatibility.

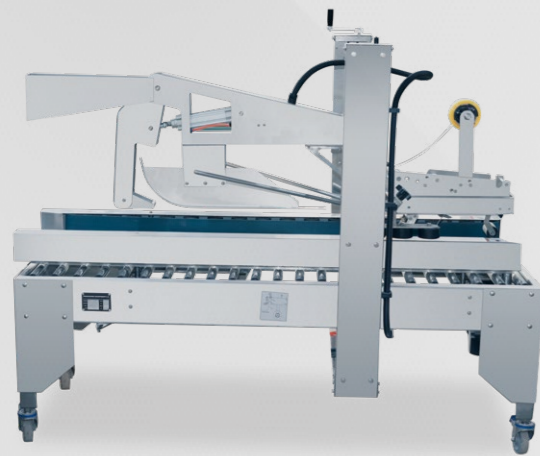
技术参数 TECHNICAL PARAMETER

功率 Power(kw)	8.5
电源 Power Supply(V)	AC 380V
生产能力 Production Capacity(Packs/minute)	80
重量 Weight(kg)	980
外形尺寸 External Dimension(mm)	6730*2550*2800



装箱码垛线系列

PACKING MACHINE SERIES



自动封箱机 EFX500

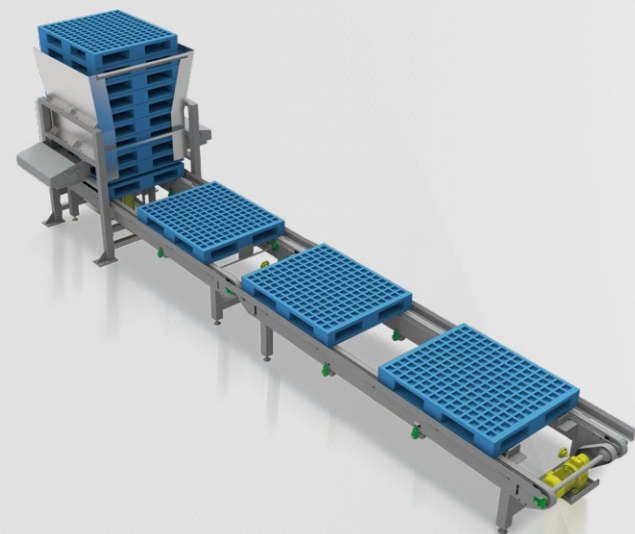
AUTOMATIC SEALING MACHINE

产品特点 PRODUCT FEATURES

- ◆ 自动上下贴胶带。
- ◆ 快速切换纸箱长度、宽度。
- ◆ 可兼容多种规格纸箱。
- ◆ 整机采用全不锈钢制作。
- ◆ Tape up and down automatically.
- ◆ Quickly switch the length and width of the carton.
- ◆ Compatible with a variety of cartons.
- ◆ The whole machine is made of all stainless steel.

技术参数 TECHNICAL PARAMETER

型号 Type	EFX500
功率 Power(kW)	0.4
电源 Power Supply(V)	AC 220V
通用胶带 General Purpose Tape(mm)	50-60
重量 Weight(kg)	300
纸箱尺寸 Carton Size(mm)	250*150*150/600*500*500



自动卡板机 EKB1200

AUTOMATIC CARD BOARD MACHINE

产品特点 PRODUCT FEATURES

- ◆ 结构简单，维修方便。
- ◆ 自动提醒补料。
- ◆ 可单机、整线控制使用。
- ◆ Simple structure and convenient maintenance.
- ◆ Automatic reminder to refill.
- ◆ It can be used in stand-alone or whole line control.

技术参数 TECHNICAL PARAMETER

型号 Type	EKB1200
功率 Power(kW)	0.75
电源 Power Supply(V)	AC 380V
气压 Air Pressure(MPa)	0.6-0.8MPa
重量 Weight(kg)	500
外形尺寸 External Dimension(mm)	1500*1300*1600



码垛机器人 EMD1000

PALLETIZING ROBOT

产品特点 PRODUCT FEATURES

- ◆ 性能可靠、保养维修简单。
- ◆ 占地面积少，效率高。
- ◆ 兼容性强，能适用多种产品切换。
- ◆ Reliable performance, simple maintenance and repair.
- ◆ Small footprint and high efficiency.
- ◆ It has strong compatibility and can be used for multiple product switching.

技术参数 TECHNICAL PARAMETER

功率 Power(kW)	13
电源 Power supply	AC 380V
生产能力 Production Capacity(Packs/minute)	8
重量 Weight(kg)	1000
外形尺寸 External Dimension(mm)	8545*2640*2115

配套设备系列

AUXILIARY EQUIPMENT SERIES



真空包装机

VACUUM PACKAGING MACHINE

产品特点 PRODUCT FEATURES

- ◆ 热封温度、热封时间、抽真空压力和时间根据实际制定控制。
- ◆ 带防水功能，有效保证电气系统安全。
- ◆ 适应处理的包装物：各种食品（甜糯玉米、肉制品、海产品、果蔬、酱菜、冷却肉等）。
- ◆ Heat sealing temperature, heat sealing time, vacuum pressure and time are controlled according to actual conditions.
- ◆ With waterproof function, effectively ensure the safety of the electrical system.
- ◆ Suitable packaging materials: various foods (sweet waxy corn, meat products, seafood, fruits and vegetables, pickles, chilled meat, etc.).

技术参数 TECHNICAL PARAMETER

型号 Type	AKB700/2s	AKB600/2s
封口长度 Sealing length(mm)	700*4	600*4
电源 Power supply(kW)	380/50Hz 2.2-3.0kW	380/50Hz 2.2-3.0kW
包装能力 (times/min) Packaging capacity	2-5	2-5
真空室尺寸 Vacuum chamber size(mm)	790*750*120	690*620*120

套管机

CASING MACHINE

产品特点 PRODUCT FEATURES

- ◆ 套管机是我公司研制的高效率产品。该产品是针对高湿度、高腐蚀的环境进行特殊设计。具有噪音小，效率高等特点。
- ◆ The casing machine is a highly efficient product developed by our company. This product is specially designed for high humidity and high corrosion environment. It has the characteristics of low noise and high efficiency.

技术参数 TECHNICAL PARAMETER

型号 Type	AKTG1.0
功率 Power(W)	90
电源 Power Supply(V)	380-420
防水等级 Waterproof Level	IP64
速度 Speed(rpm)	1400
外形尺寸 External Dimension(mm)	693*596*429
重量 Weight(kg)	约 47

冻肉刨肉机

FROZEN MEAT FLAKER

产品特点 PRODUCT FEATURES

- ◆ 冻肉刨肉机是冻肉加工的专用设备，可将未解冻的整块原料肉直接分解，省去冻肉缓化过程，减缓原料肉在加工过程中的升温速度，节省制冷费用，有利于延长产品保质期，是肉食加工的理想设备。
- ◆ 切出的肉块大小可调，能直接进入下道工序加工。
- ◆ 自动送料，有效降低工人工作强度。
- ◆ 设有自动保护功能，操作安全。
- ◆ 刀片采用优质合金钢制造，锋利耐用，双面刀刃可循环使用，降低设备维护费用。
- ◆ 整机采用优质不锈钢制造，外型美观，结构合理，运行平稳。
- ◆ Frozen meat flaker can directly decompose the unthawed raw meat, slow down the heating speed of raw meat of processing, save refrigeration cost, and help to extend the shelf life of the product. It is an ideal equipment for frozen meat processing.
- ◆ The size of the cut meat is adjustable and it can be processed directly into the next process.
- ◆ Automatic feeding, effectively reduce the working intensity of workers.
- ◆ With automatic protection function, safe operation.
- ◆ The blade is made of quality alloy steel, sharp and durable, and the double-sided blade can be recycled to reduce the maintenance cost of the equipment.
- ◆ The machine is made of 304 stainless steel, with good appearance, reasonable structure and smooth operation.



技术参数 TECHNICAL PARAMETER

型号 Type	AKG520	AKG550
尺寸 Size(mm)	2200*1120*1150	2200*1120*1150
功率 Power(kW)	7.5	11
转速 Speed (r/min)	60	330
处理量 Capacity(kg/h)	2000	4000
外形尺寸 External Dimension(mm)	650*520*190	650*520*190
肉温 Meat temperature (°C)	-5~-18	-5~-18

绞肉机

MEAT GRINDER

产品特点 PRODUCT FEATURES

- ◆ 绞肉机是肉制品加工的常用设备，可将未解冻的冻肉直接进行绞切，通过更换孔刀，加工出各种规格的颗粒，满足不同的工艺要求。
- ◆ 与刨肉机配合使用可有效降低生产成本，减缓原料肉在加工过程中升温，延长产品保质期。
- ◆ 绞肉机采用优质不锈钢制作、操作简单、性能稳定、易清洗、生产效率高。

- ◆ The meat grinder is a common equipment for meat product processing. It can directly cut the frozen meat that has not been thawed. By changing the hole knife, various specifications of pellets can be processed to meet different technological requirements.
- ◆ Used in conjunction with a meat planer can effectively reduce production costs, slow down the heating of raw meat during processing, and extend product shelf life.
- ◆ The meat grinder is made of high-quality stainless steel, with simple operation, stable performance, easy cleaning and high production efficiency.

技术参数 TECHNICAL PARAMETER

型号 Type	功率 Power(kW)	电压 Voltage(V)	生产能力 Capacity (t/h)	重量 Weight(kg)	绞龙转速 auger speed speed(r/min)	变频调速 Frequency conversion speed control belt upgrade	外形尺寸 External Dimension(mm)
AKJ300	55	380	1.5-10	2600			2300*1400*2000
AKJ250	37	380	2-12	1500			2800*1470*1700
AKJ130	11	380	1.6-2	500	160		1300*700*1200
AKJ120	7.5	380	0.5-1	260	200		950*550*1100



配套设备系列

AUXILIARY EQUIPMENT SERIES



切丁机

DICING MACHINE

产品特点 PRODUCT FEATURES

- ◆ 切刀采用双刃切削，工作效率高。
- ◆ 调整厚度切割旋钮，可对推杆进行无级调速，以满足不同切割厚度的要求。
- ◆ 采用了预压力设计，保证在切割过程中肉丁块状均匀。
- ◆ The cutter adopts double-edged cutting, which has high working efficiency.
- ◆ Adjusting the thickness of the cutting knob, the push rod can be steplessly adjusted to meet the requirements of different cutting thicknesses.
- ◆ The pre-pressure design is adopted to ensure that the diced meat is uniform in the cutting process.

技术参数 TECHNICAL PARAMETER

型号 Type	AKQ350	AKQ550
生产能力 Capacity(kg/h)	500~600	700~900
切割槽尺寸 Cut the slot size(mm)	84*84*350	120*120*550
功率 Power(kW)	3	3.7
切割栅尺寸 Cutting gate size(mm)	4~84	4~120
重量 Weight(kg)	500	700
外形尺寸 External Dimension(mm)	1480*800*1000	1950*1000*1120



骨肉分离机

FLESH SEPARATOR

产品特点 PRODUCT FEATURES

- ◆ 分离的肉特点：出料快，肉料颜色好；无骨渣，口感好；肉组织结构破坏小，具有片状、丝状、块状。
- ◆ 分离温度低，细菌不易繁殖、不易氧化，对产品的风味以及保质期更好。
- ◆ 控制按钮区：安装金属防护罩并且带有食品级橡胶防水罩，有双重防水效果，可防止外力碰撞。
- ◆ 常用范围：香肠、肉丸、肉饼、包子馅、罐头等。
- ◆ The characteristics of the separated meat: fast discharging, good color of the meat; no bone residue, good taste; little damage to the structure of the meat tissue, with flaky, silky and lumpy shapes.
- ◆ The separation temperature is low, the bacteria are not easy to multiply, and it is not easy to oxidize, and it is better for the flavor and shelf life of the product.
- ◆ Control button area: Install a metal protective cover and a food-grade rubber waterproof cover, which has a double waterproof effect to prevent external collisions.
- ◆ Common range: sausages, meatballs, meatloaf, stuffed buns, canned food, etc.

技术参数 TECHNICAL PARAMETER

生产能力 Capacity(kg/h)	300~500
功率 Power(kW)	6.5/8
规格 Size(mm)	4~120 1440*630*970
重量 Weight(kg)	450

配套设备系列

AUXILIARY EQUIPMENT SERIES

斩拌机

CHOPPING MACHINE

产品特点 / PRODUCT FEATURES

- ◆ 带温度检测装置，可测量斩拌过程中的原料温度变化。
- ◆ 斩拌机选用六把刀具组合（AKZ40 只有 3 把刀），配合三档转盘速度或变频调速，使斩拌乳化，混合及乳化一次加工完成。
- ◆ 斩切时间短，产品升温小，有效提高产品的口感和出品率。
- ◆ 锅速、斩刀与转锅的间隙达到合理的组合，使斩切产品更均匀。
- ◆ 采用国际先进的变频交流调速系统，动力源采用交流变频电机，启动转矩大，启动电流小，启动特性良好，能够适应各种原料和不同客户的需求。
- ◆ 采用先进的控制技术，安全可靠，电机符合欧标，显示、控制功能完善，绝缘耐热等级高，过载保护性能好。
- ◆ With a temperature detection device, it can measure the temperature change of the raw material during the chopping process.
- ◆ The chopping machine selects a combination of six knives (AKZ40 only has 3 knives), with the three-speed turntable speed or frequency conversion speed regulation, so that the chopping emulsification, mixing and emulsification can be processed in one time.
- ◆ The cutting time is short and the temperature of the product is small, which effectively improves the taste and yield of the product.
- ◆ The pot speed, the gap between the chopping knife and the rotating pot reach a reasonable combination, so that the chopped products are more uniform.
- ◆ It adopts the international advanced frequency conversion AC speed regulation system, and the power source adopts AC frequency conversion motor, which has large starting torque, small starting current and good starting characteristics, which can adapt to the needs of various raw materials and different customers.
- ◆ It adopts advanced control technology, safe and reliable, the motor conforms to European standards, the display and control functions are perfect, the insulation and heat resistance level is high, and the overload protection performance is good.



技术参数 / TECHNICAL PARAMETER

型号 Type	外形尺寸 External Dimension(mm)	功率 Power(kW)	斩刀转速 Blade Speed(rpm)	生产能力 Capacity(kg/time)	斩锅容积 Volume(L)	斩锅转 Bowl speed(rpm)	重量 Weight(kg)
AKZ40	1050*850*1100	8.35	1500/3000/4500	20~30	40	10/16	480
AKZ80	2150*1750*1300	12	1000/2000/4000	50~60	80	11/17	1000
AKZ125	3260*2590*1500	32	300-4200	70~100	125	8/11/16	2850
AKZ200	3810*3000*1750	64	300-4000	140~160	200	8/11/16	4700

真空搅拌机

VACUUM MIXER

产品特点 / PRODUCT FEATURES

- ◆ 真空搅拌机可在真空状态下将产品原料与辅料混合，减少物料中的气泡，增加产品弹性，延长保质期。
- ◆ 采用平衡双轴结构，斜板式桨叶，使物料在料箱中翻动的同时还做反复圆周运动，使各种物料搅拌的更加均匀。
- ◆ 采用可编程控制器和触摸屏控制器，设定搅拌时间、间歇时间及搅拌程序。
- ◆ 料箱盖的开合和出料门的开关均采用气缸控制，操作方便。
- ◆ The vacuum mixer can mix the product raw materials and auxiliary materials in a vacuum state, reduce bubbles in the materials, increase product flexibility, and extend the shelf life.
- ◆ The use of balanced double-shaft structure and inclined plate blades make the materials move in the material box while making repeated circular motions, so that the mixing of various materials is more uniform.
- ◆ Use programmable controller and touch screen controller to set mixing time, intermittent time and mixing program.
- ◆ The opening and closing of the material box cover and the opening and closing of the discharge door are controlled by a cylinder, which is easy to operate.



技术参数 / TECHNICAL PARAMETER

型号 Type	外形尺寸 External Dimension(mm)	功率 Power(kW)	电压 Voltage(V)	生产能力 Capacity(kg/time)	重量 Weight(kg)
AKJB180	1200*950*1350	3.5	380	120	400
AKJB350	1500*1200*1380	6	380	270	650
AKJB650	2050*1650*1700	9	380	500	900
AKJB1200	2100*1500*2000	13.5	380	900	1800

配套设备系列

AUXILIARY EQUIPMENT SERIES

真空滚揉机

VACUUM TUMBLER



产品特点 PRODUCT FEATURES

- ◆ 真空滚揉机是在真空状态下，利用物理冲击的原理，让肉在滚筒内上下翻动，相互撞击、摔打、达到按摩、腌渍作用。
- ◆ 提高肉的结着力及产品的弹性；提高产品的口感及断面效果；增强保水性，增加出品率；改善产品的内部结构。
- ◆ 可根据不同工艺要求设定滚揉时间、间歇时间、真空度。
- ◆ 呼吸式滚揉使原料在滚揉时交替处于真空和常压状态，能有效缩短滚揉时间。
- ◆ Vacuum tumbler is common equipment used in meat processing.By applying the principal of physical impact,it makes the meat tumbling in the drum and repeatedly kneaded.
- ◆ Vacuum space can make the meat absorbing adequate saline solution,increasing its moisture capacity and improving the yield.
- ◆ Working time,quiescent interval,and vacuum degree may be set according to requirements of various types of workmanship.
- ◆ Both ends of the drum apply welded structures with screw-tyt press caps,in which means the inner space of the drum is increased.

技术参数 TECHNICAL PARAMETER

型号 Type	生产能力 Capacity (kg/h)	容量 Drum Volume (L)	转速 Speed (r/min)	功率 Power(kW)	重量 Weight(kg)	外形尺寸 External Dimension(mm)
AKGR500	200-300	500	7	2.6	380	1450*1150*1600
AKGR1200	500-700	1200	7	3.5	800	2000*1500*1800
AKGR1600	800-1000	1600	7	5	1000	2100*1400*1600
AKGR2200	1000-1200	2200	7	6.2	1200	2200*1800*1900



盐水注射机

SALINE INJECTION MACHINE

产品特点 PRODUCT FEATURES

- ◆ 盐水注射机采用齿形步进送料，步距准确，肉料由三组可拆卸的格条支撑，注射针注射方式分为气压弹簧控制和硬性控制，气压弹簧控制真正能够达到带骨注射。
- ◆ 注射压力、注射率、步进距离和速度，可根据注射物料大小以及被注射物的组织结构，可任意调整，能够达到理想的注射效果。
- ◆ The saline injection machine adopts toothed step feeding with accurate step spacing. The meat material is supported by three groups of removable bars. The injection method of injection needle is divided into pneumatic spring control and hard control, and pneumatic spring control can really achieve the injection with bone.
- ◆ The injection pressure, injection rate, step distance and speed can be adjusted according to the size of the injection material and the tissue structure of the injected material, which can achieve the ideal effect of injection.

技术参数 TECHNICAL PARAMETER

型号 Type	注射速度 Injection Speed (times/min)	送进步距 Delivery Distance(mm)	总功率 Power(kW)	电源 Power Supply(V)	气压 Air Pressure(MPa)	注射针数 Number Of Injection Needles	外形尺寸 External Dimension(mm)	重量 Weight(kg)
AKYS50	10-56	15-60	3	380V 50Hz	0.2-0.6	50	1500*700*1700	420
AKYS83	10-56	15-60	4	380V 50Hz	0.2-0.6	84	1500*700*1700	500
AKYS166 (自动翻面) (Automatically turning over)	12-50	最大注射厚度: 120 Maximum injection thickness: 120	5.7	380V 50Hz	0.2-0.6	166	2700*1700*2050	580

配套设备系列

AUXILIARY EQUIPMENT SERIES



打卡封口机

PUNCH SEALING MACHINE

产品特点 PRODUCT FEATURES

- ◆ 具有肠衣裁断功能, 可根据工艺要求, 选择 1~99 根香肠切一次, 或者不切断; 主要用于生产火腿肠和各种扒类产品的封口。
- ◆ 采用伺服电机作为动力, 故障少, 维修方便, 使用寿命长。
- ◆ 控制系统采用 PLC 可编程控制器。
- ◆ With casing cutting function, you can choose 1 to 99 sausages to cut once or not according to the process requirements; it is mainly used for the production of ham sausage and various grilled products.
- ◆ Servo motor is used as power, with fewer failures, convenient maintenance and long service life.
- ◆ The control system adopts PLC programmable controller.

技术参数 TECHNICAL PARAMETER

速度 Speed(rpm)	120
肠衣折径 (mm) Casing half circumference	40~150
气压 Air pressure(MPa)	0.5~0.6
功率 Power(kW)	3kW 380V
载刀工作压力 Cutting pressure(MPa)	0.5~0.6
外形尺寸 External Dimension(mm)	1200*920*2000
重量 Weight(kg)	650

烟熏炉

SMOKER

产品特点 PRODUCT FEATURES

- ◆ 蒸熏炉有蒸煮、干燥、烘烤、烟熏、清洗等功能。
- ◆ 采用可编程控制器和大屏幕人机界面控制, 可储存 100 套工艺配方。
- ◆ 能直观地显示设备运行状态, 可随时调整时间、温度、湿度、排风等状态参数, 操作简单。
- ◆ 人机界面、PLC、电磁阀等关键元器件采用知名品牌, 性能稳定, 安全可靠。
- ◆ 改进的循环发烟系统, 使产品着色均匀, 色泽美观。
- ◆ 箱体内外壁均采用优质不锈钢板, 整机全焊接结构, 密封性好。
- ◆ 保温层采用聚氨酯发泡, 耐高温, 保温效果好。自动清洗系统, 清洗程序可在控制系统中设定。
- ◆ 加热方式, 可选择外接蒸汽加热或电加热。

- ◆ The steaming furnace has the functions of steaming, drying, baking, smoking, cleaning and so on.
- ◆ Using programmable controller and large screen human-machine interface control, it can store 100 sets of process recipes.
- ◆ It can visually display the operating status of the equipment, and can adjust the time, temperature, humidity, exhaust and other status parameters at any time, and the operation is simple.
- ◆ Key components such as man-machine interface, PLC, solenoid valve, etc. adopt well-known brands with stable performance, safety and reliability.
- ◆ The improved circulating smoke system makes the product evenly colored and beautiful in color.
- ◆ The inner and outer walls of the box are made of high-quality stainless steel plates, and the whole machine is fully welded and has good airtightness.
- ◆ The insulation layer is made of polyurethane foam, which is resistant to high temperature and has good insulation effect. Automatic cleaning system, the cleaning program can be set in the control system.
- ◆ Heating method can choose external steam heating or electric heating.

技术参数 TECHNICAL PARAMETER

型号 Type	总功率 Power (kW)	高压蒸汽压力 High pressure steam pressure(MPa)	低压蒸汽压力 Low pressure steam pressure(MPa)	重量 Weight(kg)	外形尺寸 External Dimension(mm)
AKYX1/1	5	0.6-0.8	≤ 0.1	1700	1330*2223*3406
AKYX2/2	5.5	0.6-0.8	≤ 0.3	1850	1350*2260*2900
AKYX2/3	9.5	0.6-0.8	≤ 0.3	2550	2700*2260*2900
AKYX2/4	17.5	0.6-0.8	≤ 0.3	4250	4730*2260*2900



配套设备系列

AUXILIARY EQUIPMENT SERIES



剥皮机（去皮机）

PEELING MACHINE (PEELING MACHINE)

产品特点 PRODUCT FEATURES

- ◆ 按键操作，适用于直径 $\phi 13-32$ mm 纤维素肠衣的香肠剥皮工作。
- ◆ 剥皮快速高效，节约人工成本，提高生产效率。
- ◆ 表面无划痕。并且具有“蒸汽去皮”以及“浸泡去皮”两种方式。
- ◆ 刀片组进行了特别设计，具有更长的寿命以及更高的切割效率。
- ◆ This kind of sausage peeler works at a speed of 3 meters per minute, it is suitable for fiber casings with diameters of 13mm~32mm. And it provides two peeling options— "steam peeling" and "soaking peeling", in case there is no convenient steam source in factories.
- ◆ The blades are specially designed to have a longer life and work more efficiently.
- ◆ Steady operation with low failure rate is another characteristic of this machine. And we offer a one-year unconditional repair warranty for this machine.
- ◆ This device is only suitable for cellulose casings.

技术参数 TECHNICAL PARAMETER

重量 Weight(kg)	321
产量 Yield(m/s)	3
直径范围 Diameter range(mm)	$\phi 17-30$
外形尺寸 External Dimension(mm)	1880*650*1300
功率 Power(kW)	3.7kW 380V 三相五线 3.7kW 380V three-phase five-wire

辅助设备及辅助件

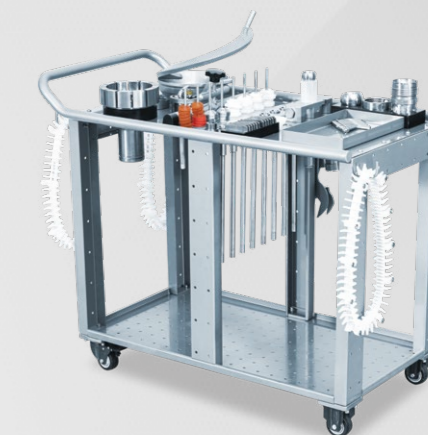
AUXILIARY EQUIPMENT AND ACCESSORIES



移动提升机
MOBILE HOIST



料车
MATERIAL CAR



工具车
UTILITY VEHICLE



传送带
CONVEYOR BELT



挂肠车
SAUSAGE CAR



扎线工作台
TIE WORKBENCH



灌肠工作台
ENEMA WORKBENCH

售后服务及销售网络

AFTER-SALES SERVICE AND SALES NETWORK

即时尊享服务
及时、专业以 **您为先**
售后热线：0757-86403516

地区负责人 REGIONAL MANAGER

华东区域销售经理 East China Regional Sales Manager	刘德之 134 1556 0009
华北区域销售经理 North China Regional Sales Manager	解长荣 150 9817 7566
华中区域销售经理 Central China Regional Sales Manager	杨攀登 184 0208 9869
华南区域销售经理 South China Regional Sales Manager	熊益春 139 2327 9869
西南区域销售经理 Southwest Regional Sales Manager	陈康 139 8085 9480
东北区域销售经理 Northeast Regional Sales Manager	邓江波 180 2598 2150



我司凭着多年的技术沉淀与创新精神，配备业内先进完善的生产设备，旗下拥有多名高级工程师和专业维修服务队伍，为客户提供全方位的方案，多年以来获得无数客户的信赖和口碑。

With years of technical precipitation and innovation, our company is equipped with advanced and complete production equipment in the industry. It has a number of senior engineers and professional maintenance service teams to provide customers with a full range of solutions. Over the years, we have won the trust and reputation of countless customers.

拓展国际市场 \ EXDAND INTERNATIONAL MARKETS

- ◆ 稳居国内市场，大步迈向国际市场。
- ◆ 本公司一向以立足中国，放眼世界为市场策略。
- ◆ Stable in the domestic market and stride towards the international market.
- ◆ The company has always been based in China and looking to the world as its market strategy.
- ◆ 公司着眼于行业的中高端市场定位，并是诸多国际、国内知名品牌企业的卓越供应商。
- ◆ 我们致力于科技创新，依据客户及相关行业的不同要求，不断提供持续研究与生产的技术支持，争取成为客户的战略合作伙伴。
- ◆ The company focuses on the mid- to high-end market positioning of the industry, and has become a excellence supplier for many international and domestic well-known brand enterprises.
- ◆ We are committed to technological innovation, according to the different requirements of customers, and related industries, continue to provide continuous research and production technical support, and strive to become a strategic partner of customers.

